

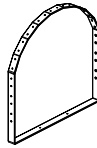
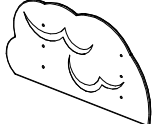


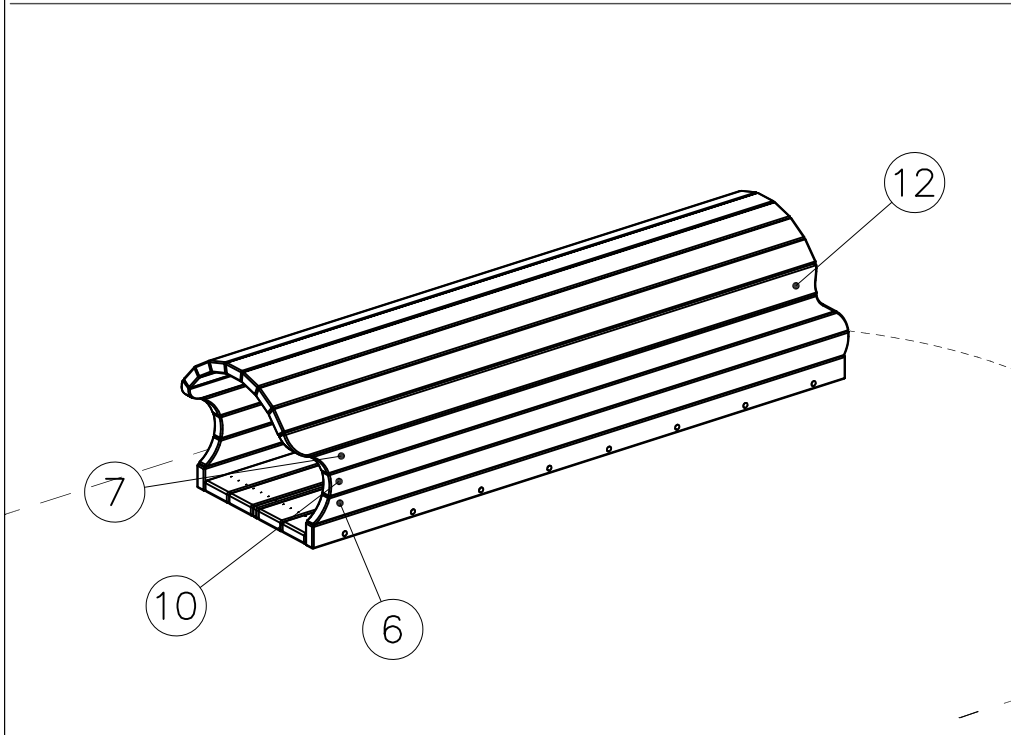




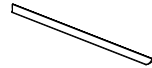

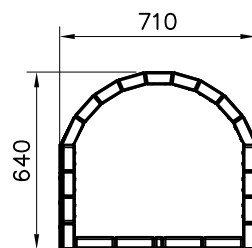
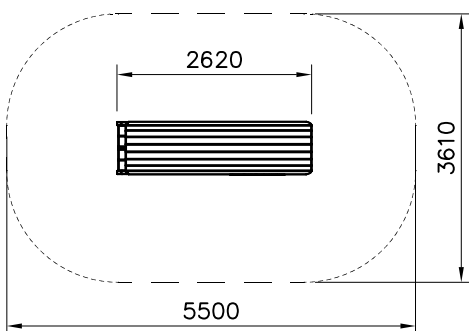


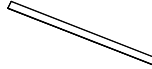
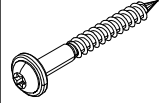
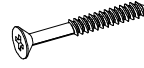

① 709927	PCS	② 709916	PCS
	1		2
		45x95x2500	
③ 911481	PCS	④ 709926	PCS
	4		1
		10x383x737	
⑤ 709923	PCS	⑥ 709917	PCS
	1		1
45x95x2500		45x95x2500	

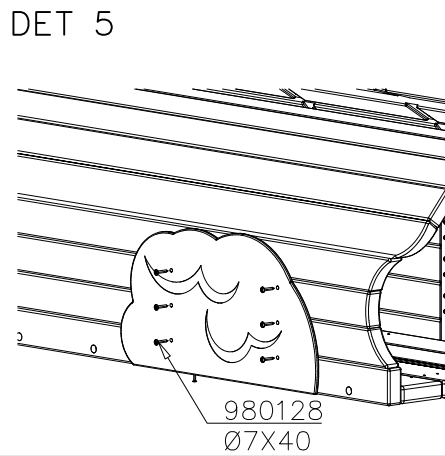
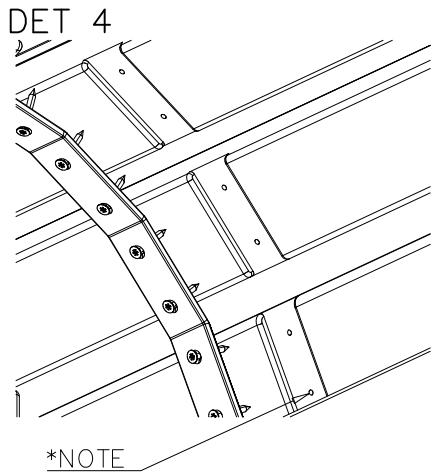
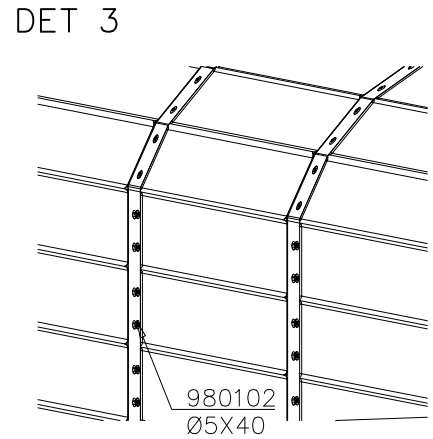
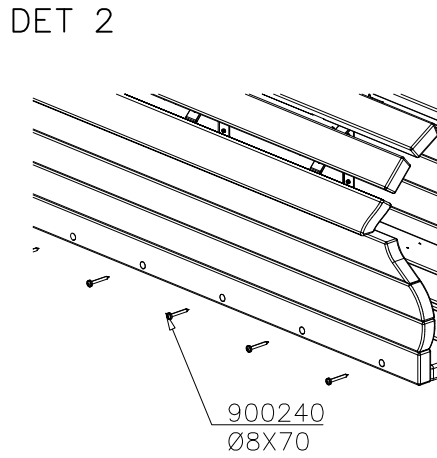
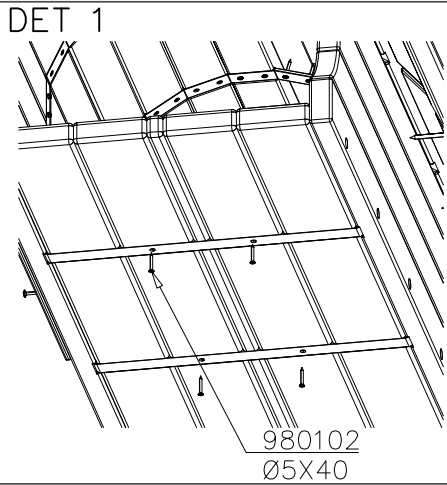


⑦ 709919	PCS	⑧ 709921	PCS
	1		1
45x95x2500		45x95x2509	
⑨ 709922	PCS	⑩ 709918	PCS
	1		1
45x95x2440		45x95x2440	
⑪ 709924	PCS	⑫ 709920	PCS
	1		1
		45x95x2500	

----- Falling Space 17.9 m2

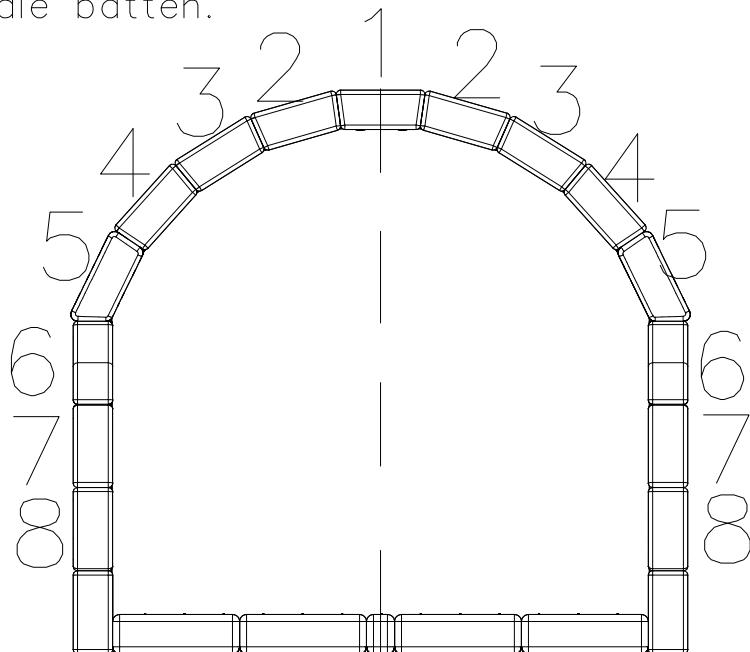


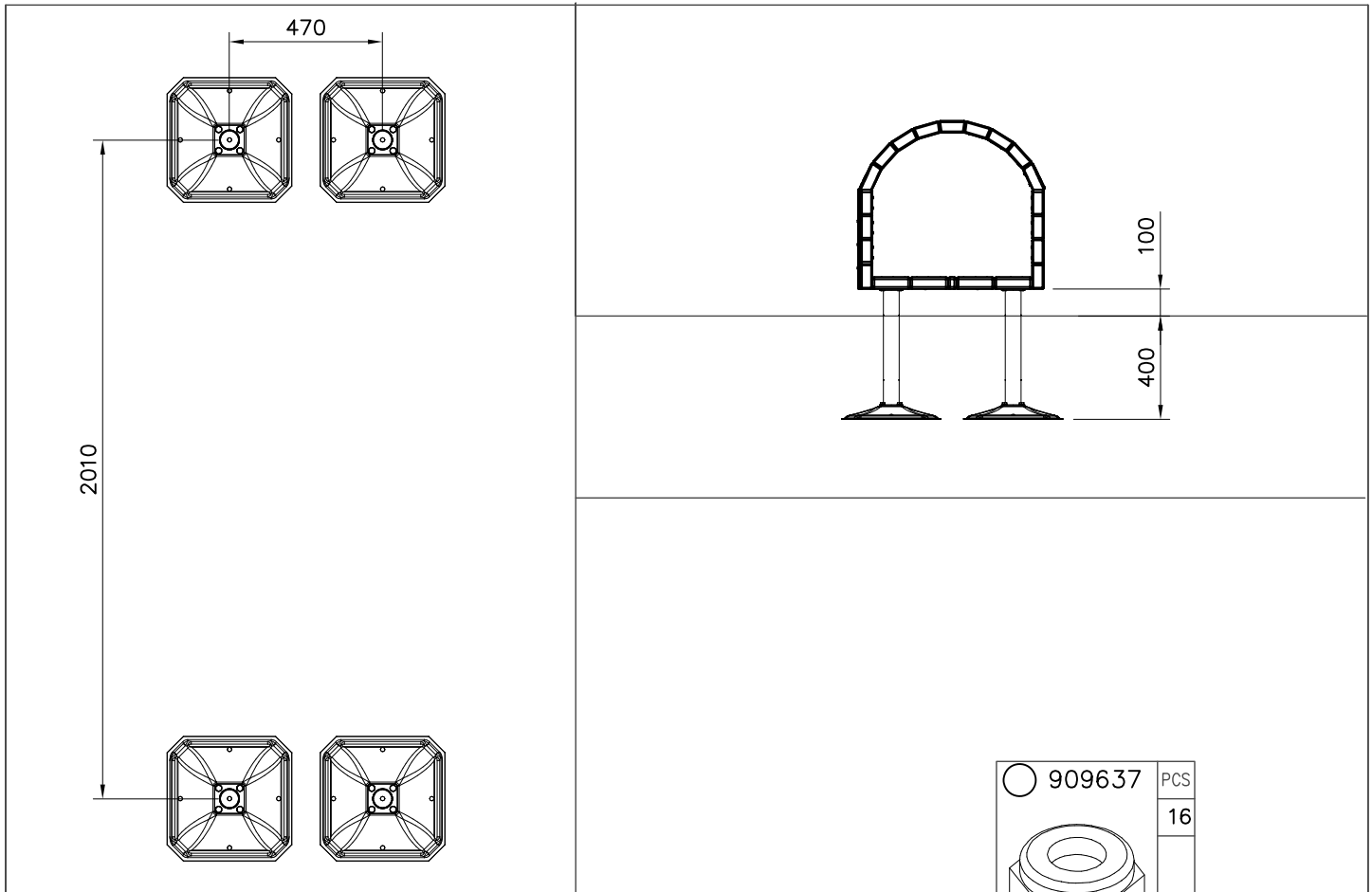
⑬ 709925	PCS	⑭ 900240	PCS
	7		16
45x95x2500			
⑮ 980102	PCS	⑯ 980128	PCS
	128		6
Ø5x40/24		Ø7x40	



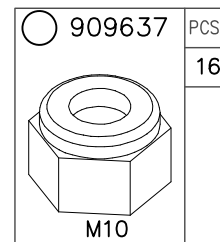
All battens have grooves for spine placement. The floor elements(709927) grooves are faced downwards so the spine will be hidden(DET 1).

\*NOTE  
 Top battens have pre-holes for correct placement, start assembling from the middle batten.





### Deep Foundation (MP0204)



<p>902272</p> <p>90x90x450</p>	<p>PCS</p> <p>4</p>	<p>909519</p> <p>50x380x380</p>	<p>PCS</p> <p>4</p>	<p>909256</p> <p>Ø16/8.4x1.6</p>	<p>PCS</p> <p>16</p>	<p>909639</p> <p>M10x25</p>	<p>PCS</p> <p>16</p>	<p>909638</p> <p>Ø20/10.5</p>	<p>PCS</p> <p>32</p>	<p>980128</p> <p>Ø7x40</p>	<p>PCS</p> <p>16</p>
--------------------------------	---------------------	---------------------------------	---------------------	----------------------------------	----------------------	-----------------------------	----------------------	-------------------------------	----------------------	----------------------------	----------------------

